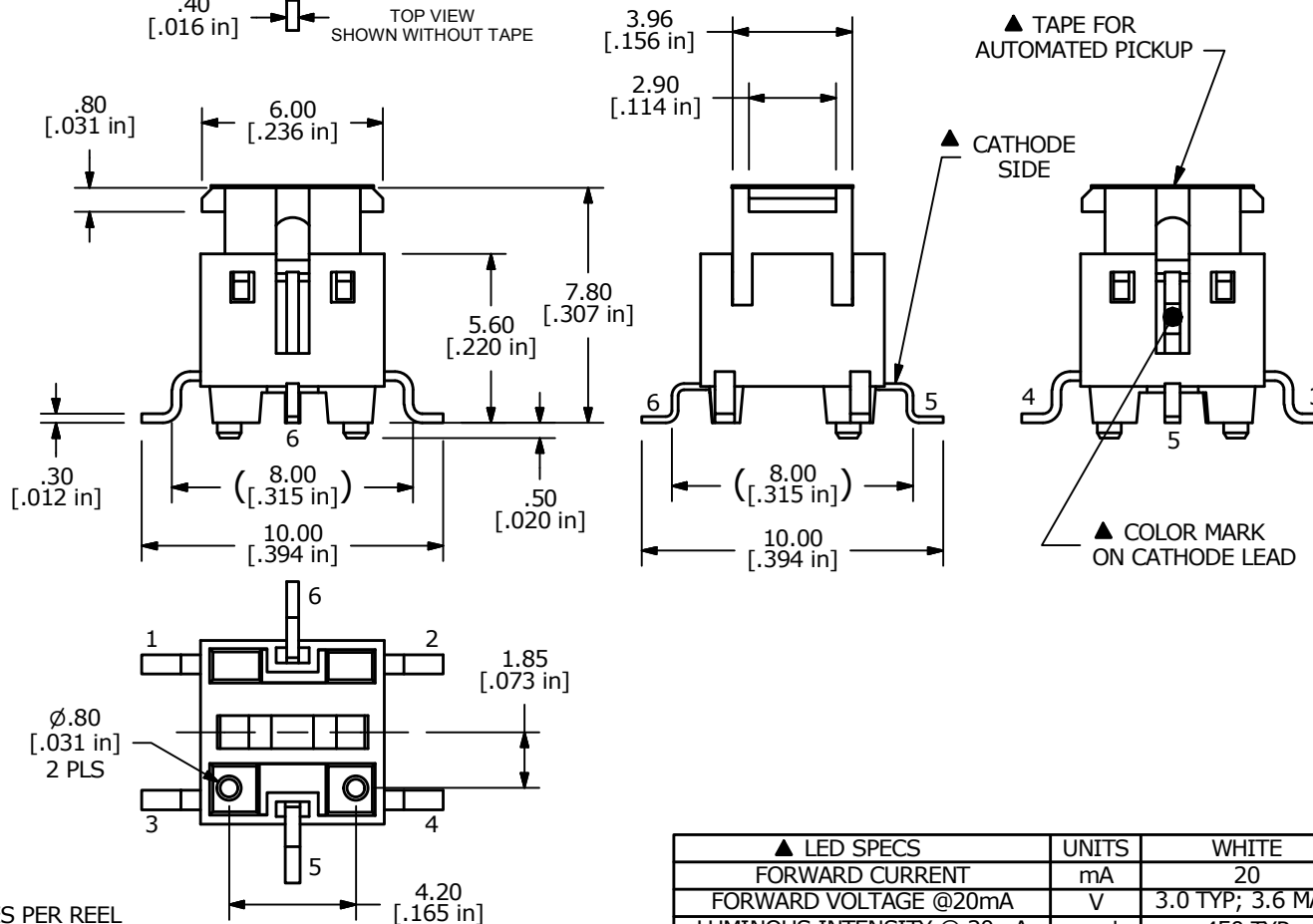
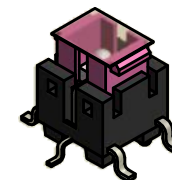
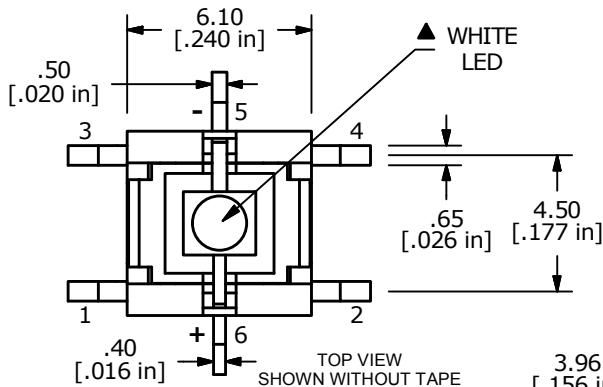


- NOTES:
1. ALL DIMENSIONS IN MM [INCH]
 2. GENERAL TOLERANCE: X.X = ±0.4
X.XX = ±0.25
 3. CONTACT RATING: 50mA @ 12VDC
 4. CONTACT RESISTANCE: 100 mΩ MAX.
 5. INSULATION RESISTANCE: 100MΩ MIN @ 500VDC.
 - ▲ 6. OPERATING FORCE: 520 ± 100gf
 7. TRAVEL: 0.2 ± 0.1mm
 8. OPERATING TEMPERATURE: -25°C to +70°C
 9. OPERATING LIFE: 200,000 CYCLES
 - ▲ 10. LED: WHITE
 11. ▲ DENOTES CRITICAL PARAMETERS
 12. 2011/65/EU (ROHS) COMPLIANT
 13. PARTS TO BE PACKAGED IN TAPE & REEL, 450 PIECES PER REEL



| ▲ LED SPECS | UNITS | WHITE |
|---------------------------|-------|------------------|
| FORWARD CURRENT | mA | 20 |
| FORWARD VOLTAGE @20mA | V | 3.0 TYP; 3.6 MAX |
| LUMINOUS INTENSITY @ 20mA | mcd | 450 TYP |

| | | | | |
|-----|--------|----------------------------------|---------|-----|
| C | 22952 | Cathode Term. .40mm, Anode .50mm | 8/9/17 | MW |
| B | 22943 | Add tape for automated pickup | 7/27/17 | MW |
| A | 21231 | INITIAL RELEASE | 9/11/13 | EBP |
| REV | PCR NO | DESCRIPTION | DATE | BY |



TITLE TL3240F520WT

| | | | | |
|-------|-----------|-----|---------|-----|
| SCALE | DATE | DR | DWG | REV |
| 4:1 | 9/11/2013 | EBP | N324013 | C |